

FS-TSL/R

TILL SECTION LEFT / RIGHT CONFIGURATION

Flexi-Serve mobile L-shaped till section, available in left and right hand versions.

Includes cable port and built-in 3kW twin socket for easy connection of tills, card readers, etc. Internal foot rest provides increased comfort for seated operators.

Use as a single till section or combine with other Flexi-Serve modules to create your perfect counter layout.

Flexi-Serve can be further customised using a selection of accessories and bespoke finishes to maximise function, style and branding.


FLEXI SERVE

MADE IN BRITAIN

*Product shown has optional trayslide fitted

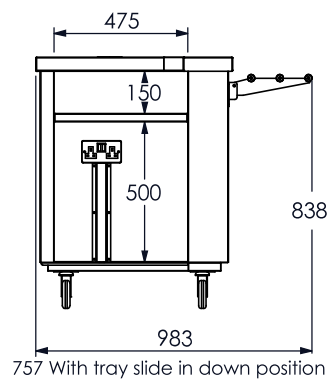
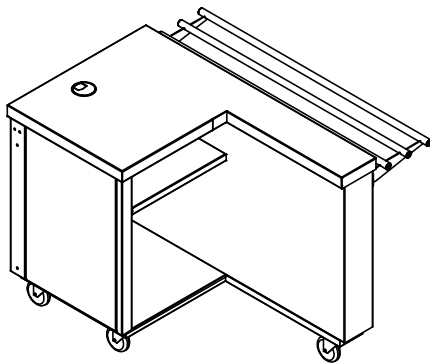
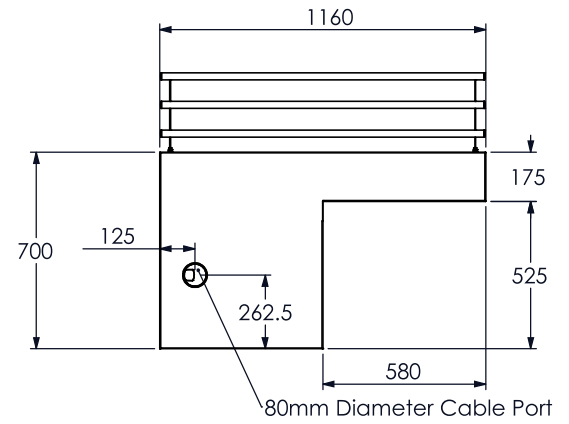
Model Specification	FS-TSL	FS-TSR
Capacity (1/1 GN at 150mm)	N/A	N/A
Dimensions (w x d x h) mm	1160x700x900	1160x700x900
Weight Packed (kg)	80	80
Weight Unpacked (kg)	65	65
Dimensions incl. Trayslide	1160x983x900	1160x983x900

FEATURES

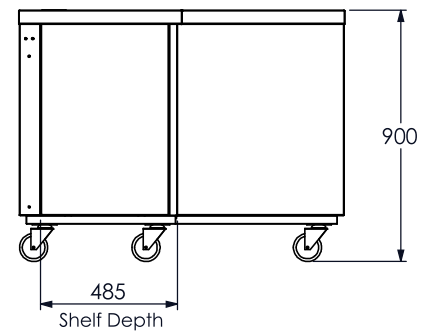
- Available in left or right hand configurations, increasing layout flexibility for customer flow
- Top mounted cable port provides neat cable access to unit base power supply
- 3KW double 3 pin pre-wired socket to easily connect tills, card readers or cashless payment systems
- Foot rest provides greater comfort for seated operators
- Narrow 700mm width fits easily through doorways
- Runs from one 13 amp 3-pin plug minimising power consumption
- 4 locking castors makes it easy to move for cleaning and storage
- 800mm high model available on request

TILL SECTION LEFT/ RIGHT CONFIGURATION

FS-TS LINE DRAWING



757 With tray slide in down position



Dimensions in mm

AVAILABLE ACCESSORIES

- Tubular or plain drop-down tray rails
- 3M wrapped panels for bespoke finishes
- Push / pull handles